

Bark Collar



Important Safety Information

Explanation of Attention Words and Symbols Used in this Guide

! This is the safety alert symbol. It is used to alert you to potential personal injury hazards. Obey all safety messages that follow this symbol to avoid possible injury or death.

⚠ WARNING WARNING indicates a hazardous situation which, if not avoided, could result in death or serious injury.

⚠ CAUTION CAUTION, used with the safety alert symbol, indicates a hazardous situation which, if not avoided, could result in minor or moderate injury.

CAUTION CAUTION, used without the safety alert symbol, indicates a hazardous situation which, if not avoided, could result in harm to your pet.

⚠ WARNING

- Do not use this product if your pet is aggressive or is prone to aggressive behavior. Aggressive pets can cause severe injury and even death to owners and others. If you are unsure whether this product is appropriate for your pet, please consult your veterinarian or a certified trainer.
- Risk of explosion if battery is replaced by an incorrect type. Do not short circuit, mix old and new batteries, dispose of in fire or expose to water. When batteries are stored or disposed, they must be protected from shorting. Dispose of used batteries properly.

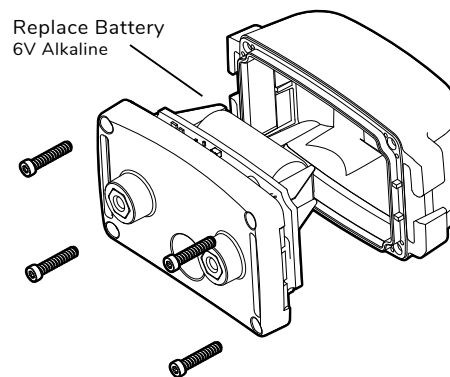
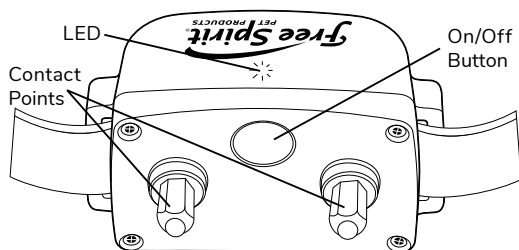
⚠ CAUTION

- It is vitally important that you and your pet remain safe during training. Your pet should be on a strong leash that is long enough for him to attempt to chase an object but short enough for him not to reach a road or other unsafe area. You must also be physically strong enough to restrain your pet if he tries to chase.
- This product is not a toy, keep away from children. Use it only for dog training purposes.

CAUTION

- Proper fit of the receiver collar is important. A collar worn for too long or made too tight on a pet's neck may cause skin damage, ranging from redness to pressure ulcers. This condition is commonly known as bed sores.
- Avoid leaving the receiver collar on a pet for more than 12 hours per day.
- When possible reposition the collar on a pet's neck every 1 to 2 hours.
- Regularly recheck the fit to prevent excessive pressure; follow the instructions in this guide.
- Never connect a leash to the receiver collar; it will cause excessive pressure on the contact points.
- When connecting a leash to a separate collar, do not allow it to put pressure on the receiver collar.
- Wash the pet's neck area and the contact points of the receiver collar weekly with a damp cloth.
- Examine the contact area daily for signs of a rash or a sore.
- If a rash or sore is found, discontinue use of the receiver collar until the skin has healed.
- If the condition persists beyond 48 hours, see your veterinarian.
- For additional information on bed sores and pressure necrosis, please visit our website.
- This product must be used only on healthy dogs. If you're not certain that your pet is in good health, we recommend that you take your pet to a veterinarian before using this product.

In the Box



- 6V battery (installed)
- Collar
- Strap
- Probes
 - Short (installed)
 - Long
- Allen Wrench
- Test Light Tool

How It Works

The Free Spirit® Bark Collar is used to subdue excessive barking by emitting a shock correction that progressively increases after each bark until the barking stops. When your dog barks, the collar emits a shock correction at the lowest level. If the barking continues, the collar will escalate the intensity of the shock correction until the dog stops barking. The collar continues to analyze your dog's behavior and will automatically raise or lower the intensity to appropriate level.

To assure a proper fit, please follow these steps:

1. Start with the collar turned off and your dog standing comfortably, not sitting.
2. Place the training collar on your dog's neck with the contact points touching the skin.
3. Insert one finger between the collar and your dog's neck to check the tightness. The fit should be snug but not constricting.
4. Allow your dog to wear the training collar for several minutes, then recheck the fit. Check the fit again as your dog becomes more comfortable with the training collar.

NOTE: It is sometimes necessary to trim the hair around the contact area to make sure that contact is consistent. However, you should never shave your pet's neck as this may increase risk of skin irritation.

You may need to use the long contact points if your dog has long or thick fur. Use the test light tool to loosen/tighten the contact points as needed.

Warranty

This product comes with a one year non-transferrable limited warranty. Should this product mechanically fail within one year of purchase, please contact us.

Contact Us

Telephone: 877-455-7387

Web: www.freespiritpetproducts.com